



SP Diagnostics

Innovators & Manufacturers of
Automotive Diagnostics

Tel: 0844 561 7861
Fax: 08700 941753

1411 - FIAT SERVICE RESET TOOL – FAULT TOLERANT CAN ENHANCED

Please read this information carefully before using your new FIAT SLR tool

Thank you for purchasing your updateable FIAT Fault Tolerant CAN Enhanced Service light reset tool. We at SP Diagnostics believe that you will have many years of successful business as a result of your investment and it is our aim to ensure that you will remain as up-to-date as possible. Please refer to these instructions when using the tool, if you experience any difficulties then please contact the technical help line on the number below:

TECHNICAL HELP LINE NO. 0844 561 7861

Please register your product with SP Diagnostics by completing the registration card that came with your product. (please remember to affix stamp before posting), you will also be able to register your product on-line by selecting the following link: www.spsupport.com
By registering your product you can take advantage of the following:

- SP Diagnostics product and technical updates via email
 - SP Diagnostics will keep you up to date with new products, special offers and technical information
- Notification of application updates for your new FIAT SLR tool
 - Your new FIAT SLR tool is now updateable. When updates are available notifications will be sent to all registered user and a posting will be made on the SP Diagnostics support website www.spsupport.com
 - Just post your product to SP Diagnostics Customer Services using the form at the back of these instructions for a low cost update.

Updating your SLR Tool

When you receive a notification of an update, please fill in the form attached and return your product together with a cheque for the update fee by recorded delivery using the address on the form.

We are always keen to hear back from customers regarding our products, and what you would like to see included. If you have any specific thoughts, please feel free to contact our Technical Support Help line on **0844 561 7861** and discuss them with the team. Also, don't forget to log in to the **SP Diagnostics Support Forum** where you can share experiences and ask questions to SP Diagnostics technical staff and other SP Diagnostics customers. Check the **SP Diagnostics Support** website www.spsupport.com for regular updates and product news.

Training

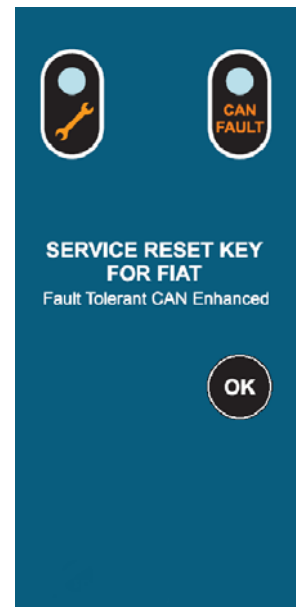
SP Diagnostics can provide access to several training courses. Please contact customer services on **0845 6016510** for details.

Features:

- Compatible with latest Fault Tolerant CAN vehicles
- Also compatible with Alfa 159/Brera and Lancia Musa
- Updateable (return to SP Diagnostics)
- CAN BUS Fault indicator

The new FIAT service reset tool has been designed to extinguish service lights for the latest FIAT Fault Tolerant CAN vehicles.

In addition to service reset, the tool has been designed to display a warning lamp when a fault on the CAN bus is present, thus serving as a useful diagnostic aid for all vehicle systems.



FIAT SLR User Instructions



Service LED.



Fault Tolerant CAN LED.



OK Button: Resets the service light.

Vehicle Set-Up

- i) Ensure vehicle ignition is turned off.
- ii) Using the application list and socket location diagrams below, connect the SLR tool to the identified diagnostic socket.
- iii) Turn on the vehicle ignition.

Service Light Reset Procedure



1. Press the '**OK**' button to reset the service light. The function LED's will flash to indicate a successful reset..



2. If the reset is unsuccessful the service LED will remain lit continuously.

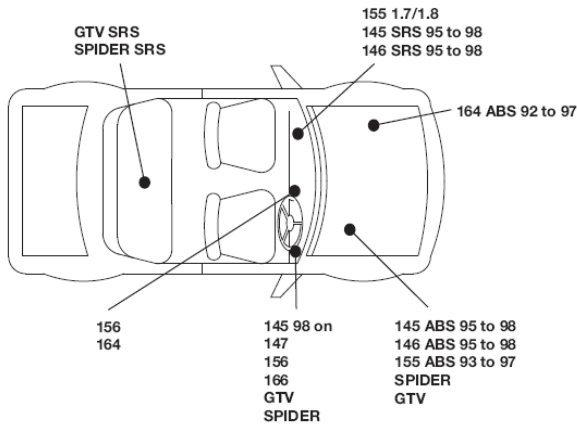
CAN BUS Fault



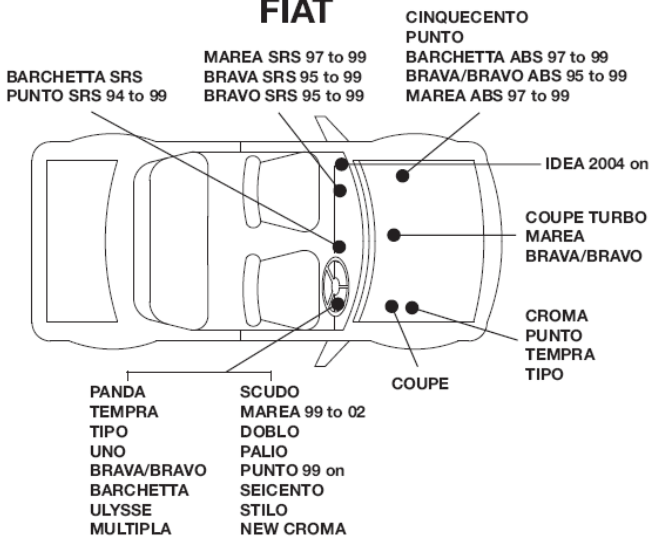
1. The '**CAN FAULT**' LED will flash on initial power up of the SLR tool if a CAN Bus fault is present. (Only applicable for the vehicles as listed in the application table)

Diagnostic Connector locations

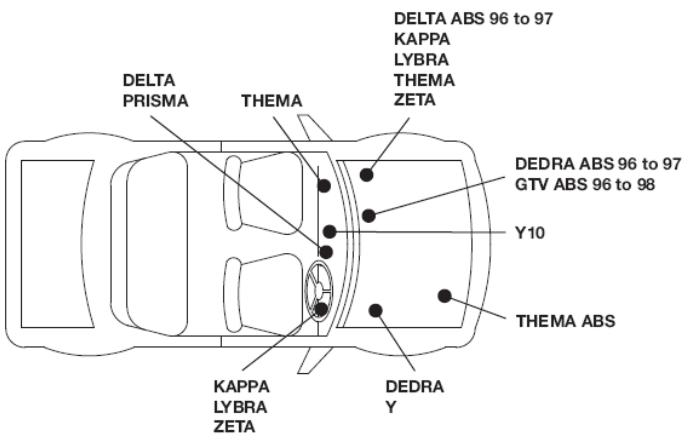
ALFA ROMEO



FIAT



LANCIA



Application List



Alfa Romeo SERVICE RESET

159	All variants	P/D	All	05-07	
Brera	All variants	P/D	All	05-07	

Fiat SERVICE RESET

Bravo	All variants	P/D	All		
Croma	All variants	P/D	All	05-07	
Idea	All variants	P/D	All	05-07	
Linea	All variants	P/D	All	05-07	
Panda	All variants	P/D	All	06-07	
Stilo	All variants	P/D	All	01-07	

Lancia SERVICE RESET

Musa	All variants	P/D	All		
------	--------------	-----	-----	--	--

Please return your Service Reset tool to:

SP Diagnostics
PO BOX 3467
Chippenham
Wiltshire
SN15 9FH

Please fill in the following details:

Product serial number

Customer Name: _____

Business Name: _____

Address: _____

Post Code: _____

Contact Number: _____

Email: _____

SP Diagnostics

PO BOX 3467, Chippenham, Wiltshire, SN15 9FH, UK

Sales & Customer Services: + 44 (0)845 6016510

Facsimile: + 44 (0)8700 941753

Email: sales@spdiagnostics.com

www.spdiagnostics.com